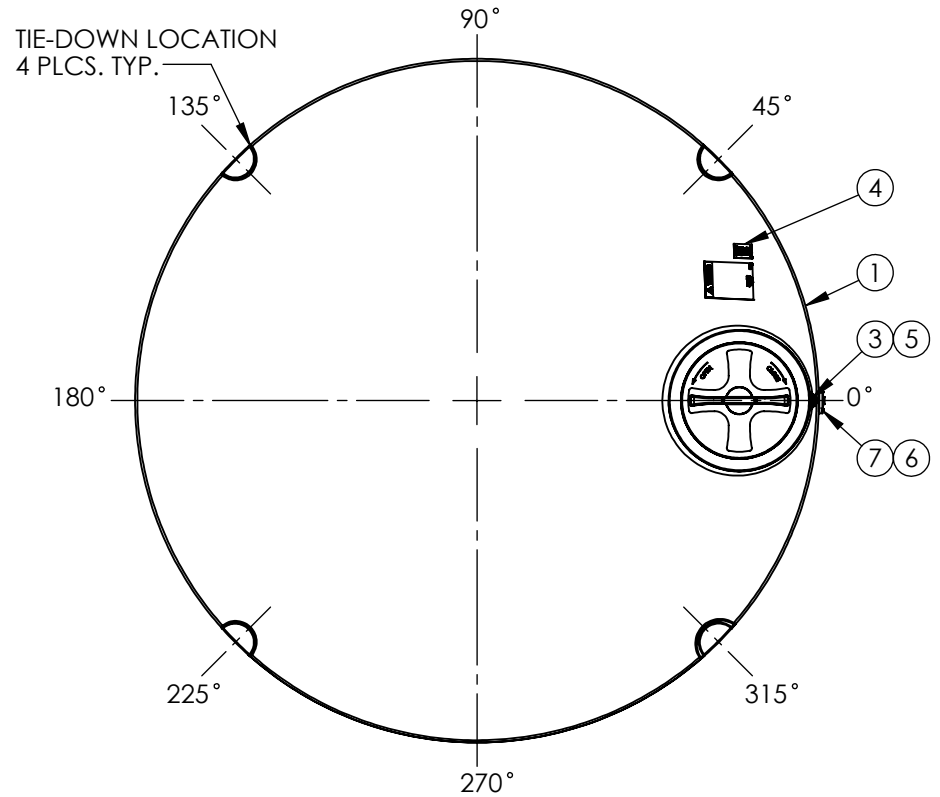
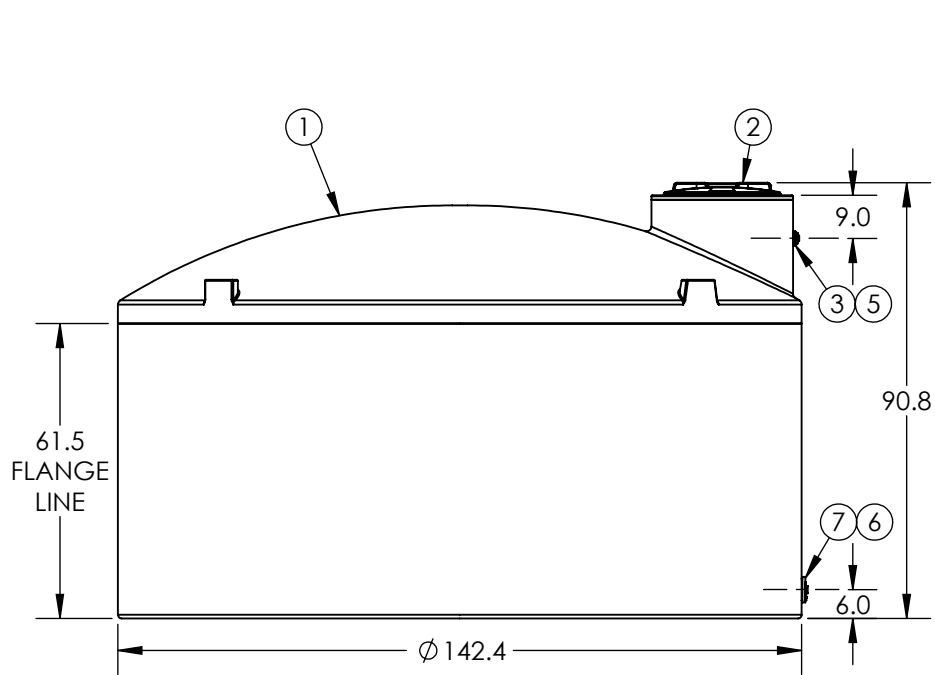


BLACK OR DARK OLIVE GREEN



7	1	63683	FTG 2IN HD BH PP/EPDM
6	1	60021	2" NPT PLUG
5	1	64149	1-1/2" NPT PLUG
4	1	99700231	DECAL NSF MARK - WATER TKS
3	1	63931	FTG PP 1-1/2IN ECO-BH EPDM TXT
2	1	34700352	ASM MANWAY PE 24IN VENTED
1	1	7000200W__02	ASM TK 5000VDT X 144 NH NMW
ITEM NO.	QTY.	PART NUMBER	DESCRIPTION
DO NOT SCALE		DRAWN BY	REVISION
Released		SB	B
© SNYDER INDUSTRIES, INC., 2018			TITLE: ASM TK 5000VDT X 144 WATER
ALL DIMENSIONS, DESIGNS, AND INFORMATION ON THIS PRINT MUST BE CONSIDERED PROPRIETARY TO SNYDER INDUSTRIES, INC. AND MAY NOT BE USED, COPIED, OR DISTRIBUTED WITHOUT WRITTEN PERMISSION OF AN OFFICER (OR HIS AGENT) OF THE FIRM.			SHEET 1 OF 1
www.snydernet.com			REVISION
(402) 467-5221			Part No. 7000200W__03
www.snydernet.com			Eng. ID. D006342

*ALL EXTERNAL PIPING MUST BE INDEPENDENTLY SUPPORTED.
 *ONLY BASE FITTINGS TO BE LEFT INSTALLED AT TIME OF SHIPMENT PER SII PROCEDURE.
 ALL DIMENSIONS ARE IN INCHES, NOMINAL, & SUBJECT TO CHANGE WITHOUT NOTICE.
 ALL DIMENSIONS ON ROTATIONAL MOLDED PARTS ARE SUBJECT TO A ± 3% TOLERANCE.